

DATE	
FIXTURE	
PROJECT	
QUANTITY	



# DELGROW 1B 300

## HORTICULTURAL LUMINAIRE

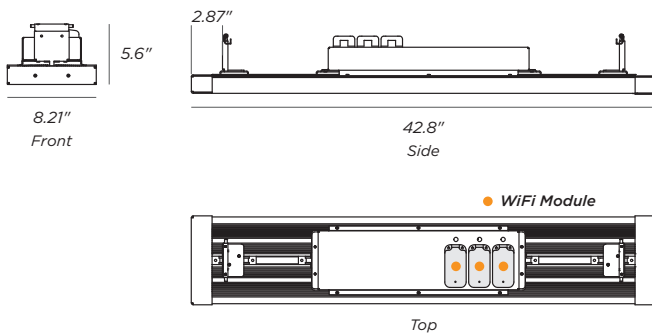
### FEATURES

- Fully assembled Industrial grade construction
- Single aluminum extruded LED bar
- Suitable for compact and large scale commercial grow operations
- Passive cooling - no moving parts
- WiFi controlled - optional
- Engineered for the photosynthetic absorption spectrum
- 50% more blue radiation than HPS
- Improved plant morphology and quality
- cUL/UL certification

### SPECIFICATIONS

- Watts**  
220, 300
- Life hours**  
100,000+ (L70)
- Voltage**  
120/277V | 347V
- Driver**  
Constant current
- Controls**  
Integrated wireless mesh network (option)
- Mounting**  
Dual 2-point aircraft cable/Dual Cap Bracket
- Weight**  
27 lbs | 12.2 kg

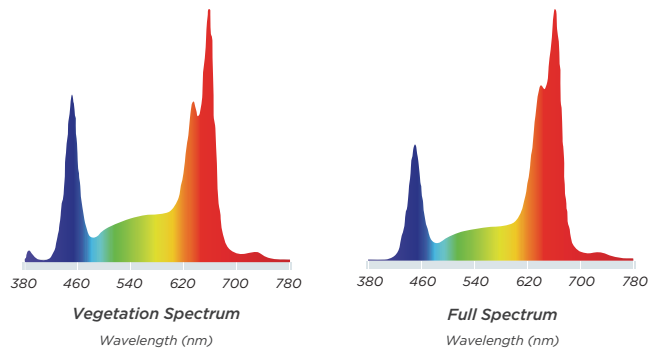
### DIMENSIONS



Specifications are subject to change without notice

## PERFORMANCE

WATTS	EFFICACY [ $\mu\text{mol} / \text{j}$ ]	PPFD at 12"	SPECTRUM
220	2.1	900	Veg
300	2.1	900	Full



## ORDERING GUIDE

OPTIONS							
MODEL	LED BARS	WATTS	VOLTAGE	LENS	FINISH	MOUNTING	WIFI
<b>Del Grow</b>	<b>1B</b> 1 Bar	<b>220</b>	<b>U</b> 120/277V	<b>CL</b> Clear	<b>GR</b> Green	<b>AC</b> Aircraft Cable	<b>WIFI</b>
		<b>300</b>	<b>H</b> 347V			<b>CB</b> Cap Bracket	<b>N</b> None
<b>Del Grow</b>	<b>1B</b>			<b>CL</b>	<b>GR</b>		

Specifications are subject to change without notice